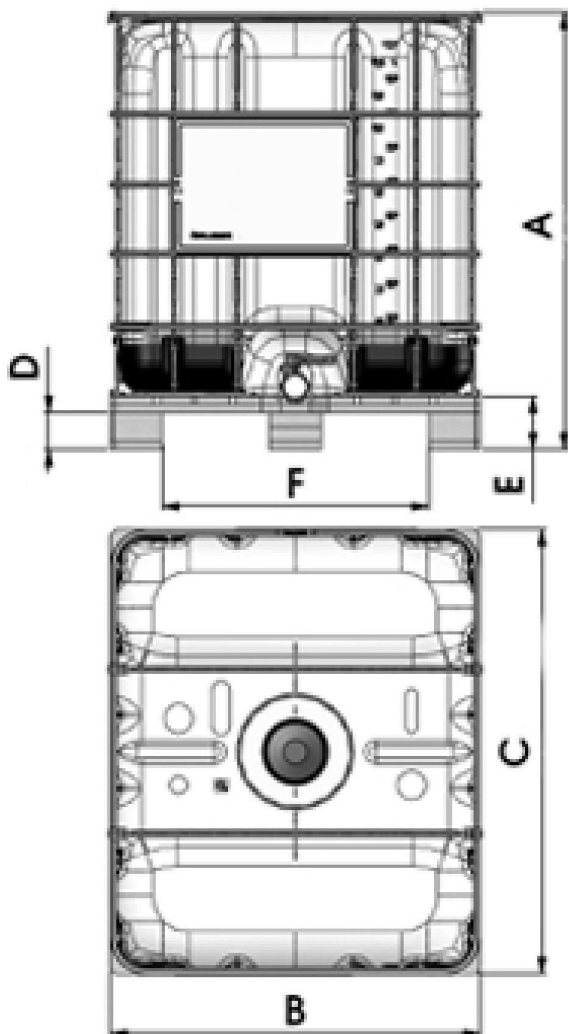


Product Datasheet



DIMENSIONS

A:	1174.00 mm
B:	1000.00 mm
C:	1200.00 mm
D:	95.00 mm
E:	139.00 mm
F:	790.00 mm
tolerance A:	-5 / 5 mm
tolerance B:	-5 / 5 mm
tolerance C:	-5 / 5 mm

MATERIAL COMPOSITION

plastic:	13.5 kg
steel:	20.0 kg
wood:	27.5 kg
total:	13.5 kg

tolerance: +/- 5%

stacking height (up to 25°C) / at a rel. Density of [kg/l]:

3 pieces high:	1.30
2 pieces high:	1.90

material:

HDPE UV stabilized - PE

material type:

PE-HD, MFI 21.6 = 5-8 g/10min, density 0.945 g/mL

VOLUME

nominal volume [l]:	1000
brimful volume:	1050
min. wallthickness [mm]:	1.40
inner receptable [kg]:	15.5

Product Datasheet

LABELING

label plate front:	medium	label plate side:	./.
label plate back:		label customized:	no

MODEL

product type:	Composite IBC	discharge opening bottom:	DN 50 (CCS 60 x 6)
volume:	1000 l (275 gal)	discharge opening top:	./.
bottle:	white	SM 6 wooden pallet:	SM 6 standard HT
approval category:		approval density:	
approval pressure:			

COMPONENTS

butterfly valve ETFE/PE:	DN 50 CCS 60 x 6	de-/gassing system:	./.
screw cap plumbed:	./.	filling opening / screw cap:	NW 150 closed
discharge coverplate:	./.	screw cap sealing:	EPDM
plastic cover:	./.	screw cap colour:	black
discharge nozzle:	yes	corner protectors:	black

STANDARD FILLING PRODUCTS

	max. vapour pressure at 50C	max. vapour pressure at 55C	density PG I	density PG II	density PG III
solid:	./.	./.	./.	./.	./.
water:	110.0	130.0	./.	1.9	1.9
acetic acid:	110.0	130.0	./.	1.6	1.6
wetting solution:	110.0	130.0	./.	1.6	1.6
white spirit:	110.0	130.0	./.	1.6	1.6
n-butyl acetate:	110.0	130.0	./.	1.6	1.6
nitric acid 55%:	110.0	130.0	./.	1.5	1.5

1. Weight of inner bottle and tare weight are referring to the nominal weight of standard design. Special designs (e.g. coloured bottle, different top opening, label plates, etc.) can lead to different weights.

2. be aware of resistance of used gasket material against filling goods. Other gasket materials are available.